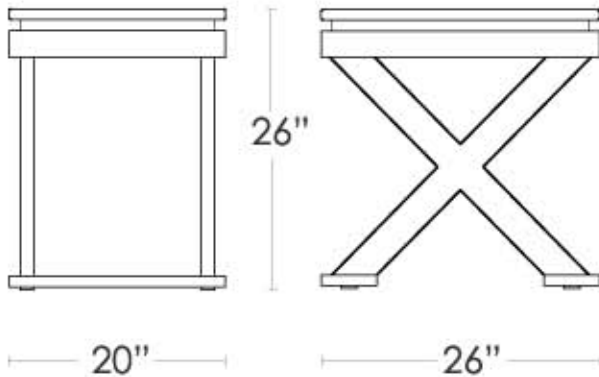




## ZEUS END TABLE



## MATERIALS:



creme lacquer



macassar ebony

\* other materials and finishes available

This exquisite macassar ebony x-base table supports a cream colored satin lacquer top with hi-gloss crème lacquer accents.

T-4