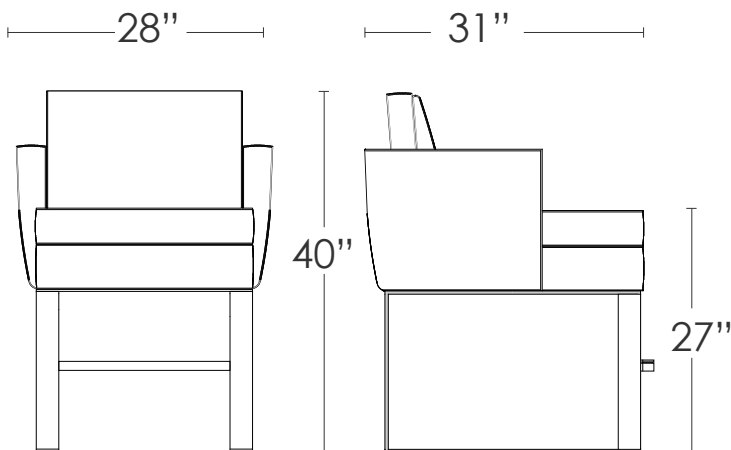


SKYLINE BAR CHAIR



SKYLINE BAR CHAIR



MATERIALS:



Ebonized Mahogany

- * fabric/contrast welting C.O.M. or C.O.L.
- * other materials available

Mirror polished stainless steel frame and sled base with solid ebonized mahogany front legs; mirror polished stainless steel foot rest over ebonized mahogany; knife edged loose pillow at back; fixed seat cushion; also available in 24", 27" or 30" seat height.

S-4